

Technical Manual

HTI88 Home Theater Series



ACOUSTIC & ELECTRICAL SPECIFICATIONS:

- Nominal Impedance 8 ohms
- Max Amp Power 250 watts*
- Frequency Response 30Hz – 100Hz (–6dB)
- Sensitivity 94dB (2.83V @ 1 meter)
- Crossover Frequency Low Pass: 100Hz, 2nd order
Hi-Pass (Output): 120Hz, 2nd order

SYSTEM COMPONENTS:

- Grille 329-080-05122-1WA
- Low-Frequency Transducer Dual 8" (203mm) polymer-coated aluminum cone w/rubber surround 20PR10EZK-HW02
- DC Resistance 8.1 ohms ±10%
- Crossover Network 013-7600-01001-P

AURAL SWEEP TEST SPECIFICATIONS:

- System Aural Sweep Test 6.0V input 30Hz to 100Hz (per channel)

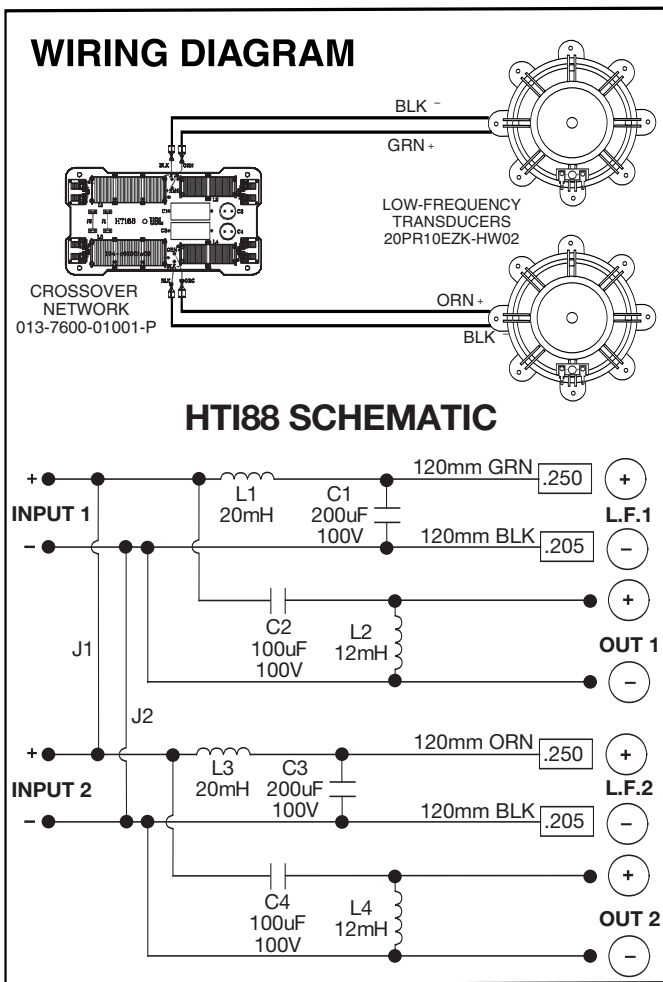
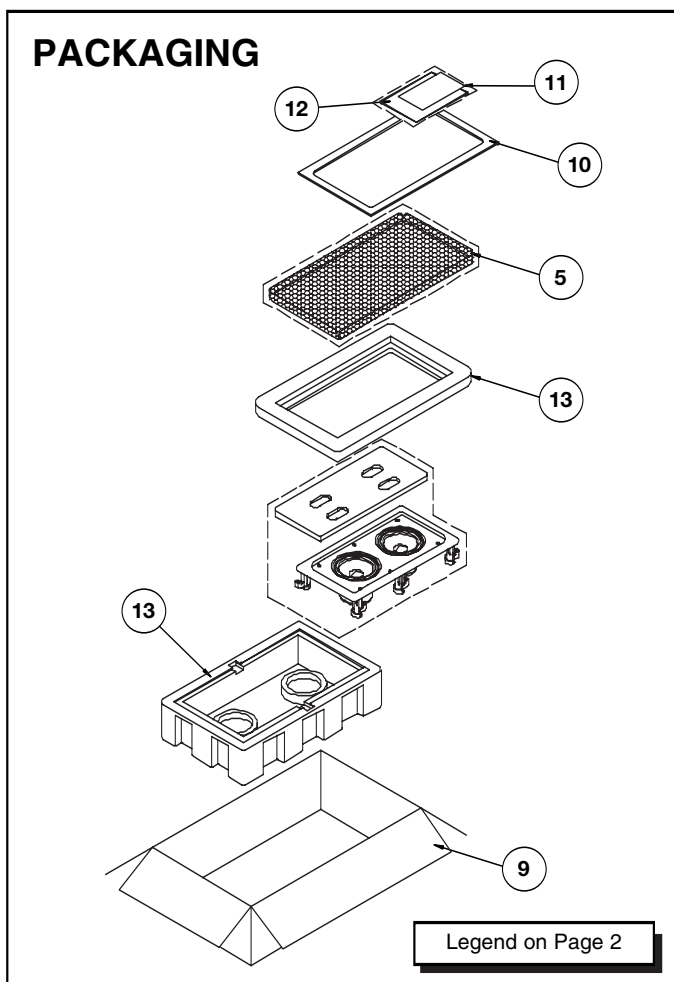
PHYSICAL SPECIFICATIONS:

- Plate Size 11-7/16" x 20-7/16" (290mm x 518mm)
- Mounting Cutout Size 10" x 18-5/16" (254mm x 465mm)
- Mounting Depth 3-7/8" (98mm)
- Weight 17 lb (7.7kg) Each

WARRANTY:

- Refer to Warranty Statement packed with each product.

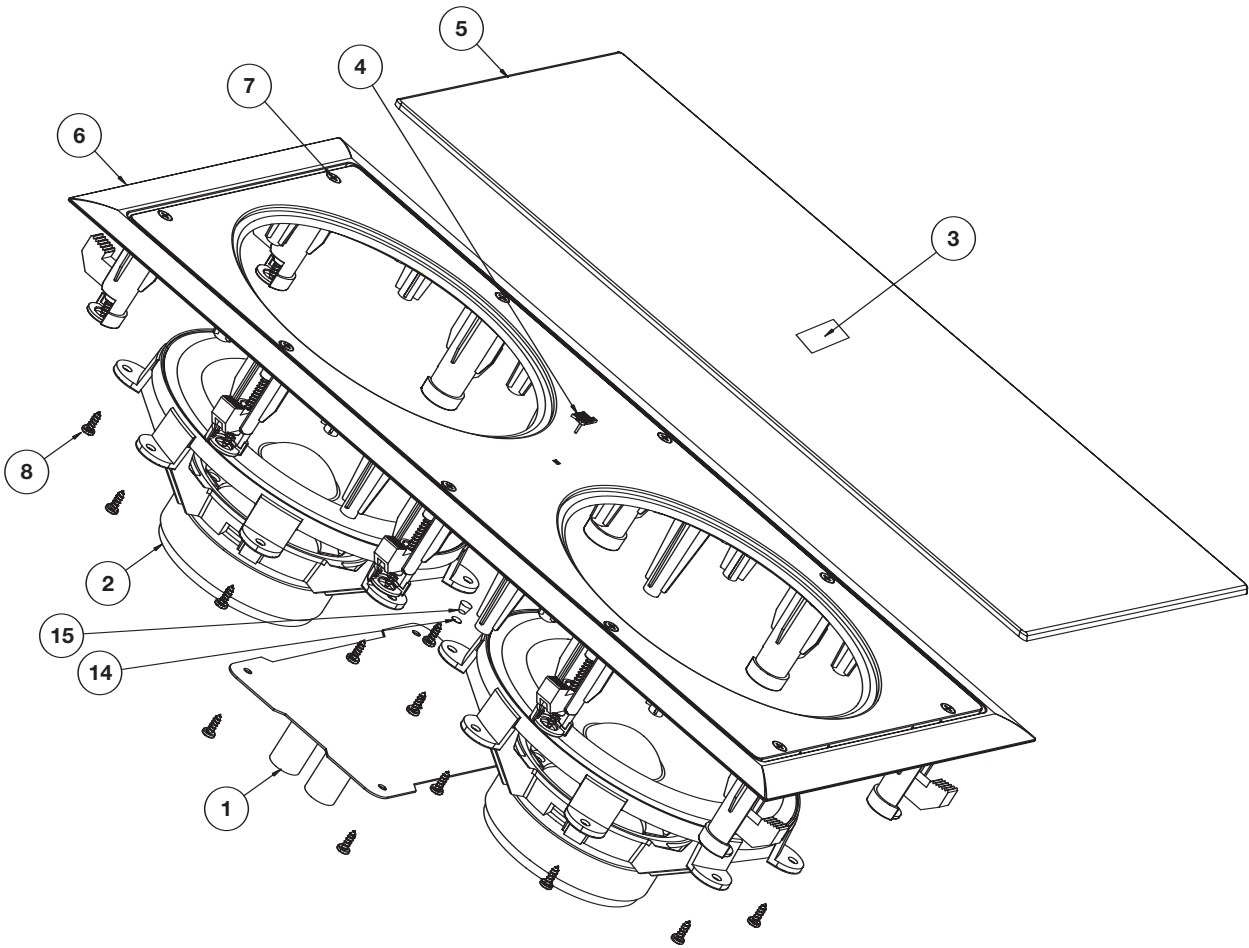
* The maximum recommended amplifier power rating will ensure proper system headroom to allow for occasional peaks. We do not recommend sustained operation at these maximum power levels.



HTI88 Home Theater Series



EXPLODED VIEW



Item	Part No.	Description	Qty.	Item	Part No.	Description	Qty.
1	013-7600-01001-P	CROSSOVER NETWORK	1	9	402-000-05336	OUTER CARTON	1
2	20PR10EZK-HW02	WOOFER	2	10	404-000-05054	CUTTING TEMPLATE	1
3	316-POL-00221-2TA	GRILLE LOGO	1	11	405-000-05229	WARRANTY CARD	1
4	316-ABS-05110-0BA	BAFFLE LOGO	1	12	406-000-05008	OWNER'S MANUAL	1
5	329-080-05122-1WA	GRILLE	1	13	431-000-05365	PACKING MATERIAL (SET)	1
6	222-080-05022-0WA	FRONT BAFFLE ASSEMBLY	1	14	339-FE-05023-0BA	WASHER	1
7	352-BM04070D977	DOG SCREW	10	15	358-030117	SPRING	1
8	352-CM04012D948	WOOFER/NETWORK SCREW	21				

HTI88 Home Theater Series